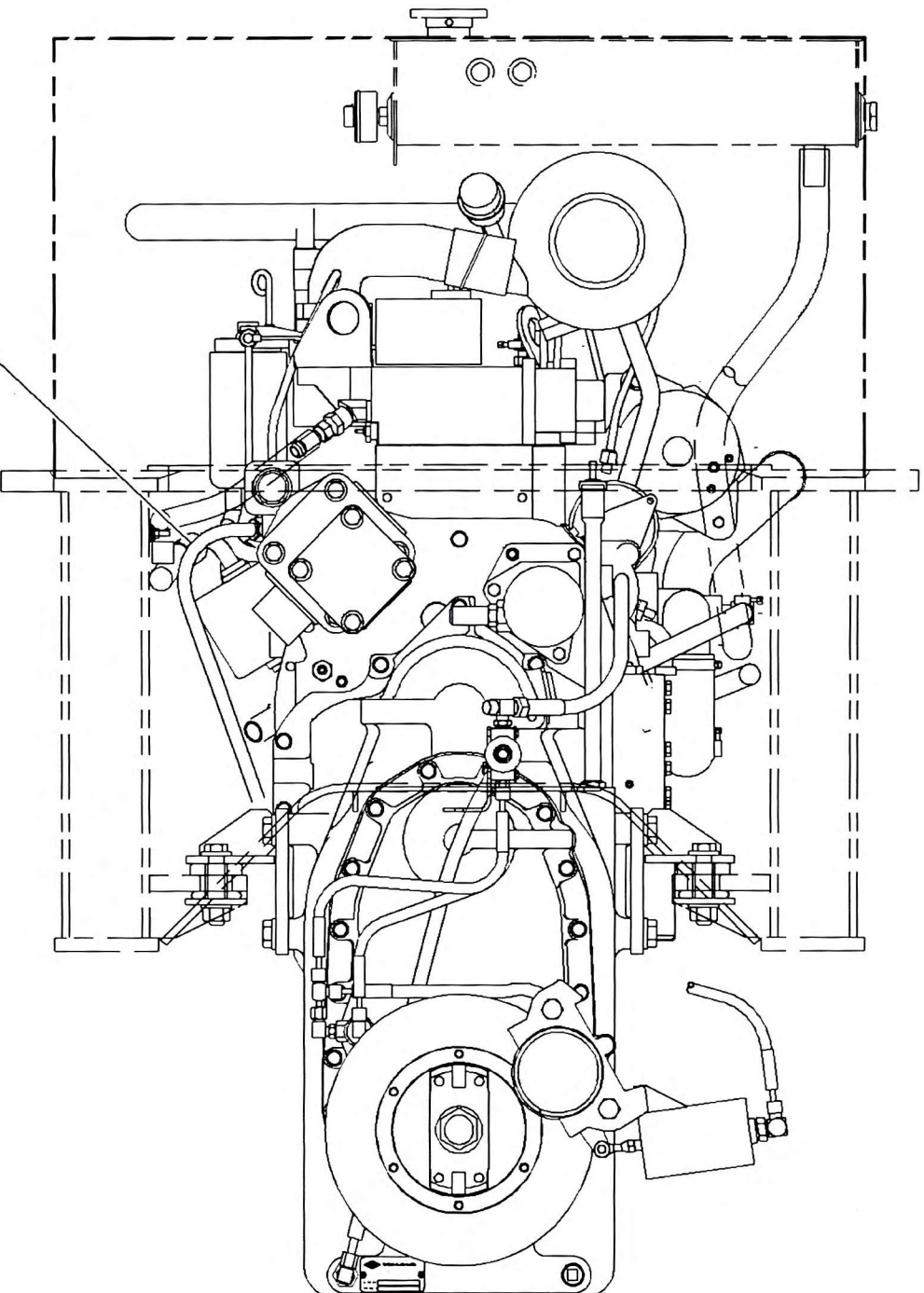
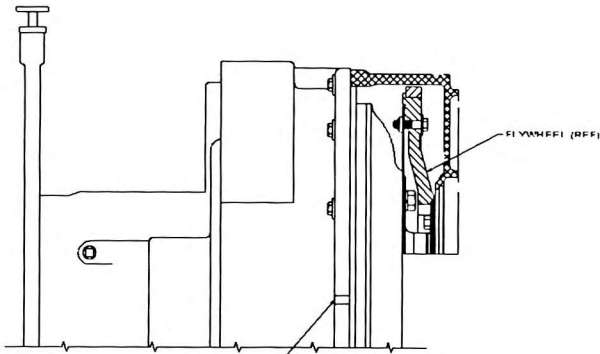


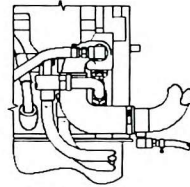
Manitowoc Crane Group



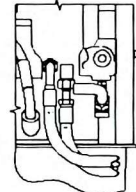
528
527
526
510



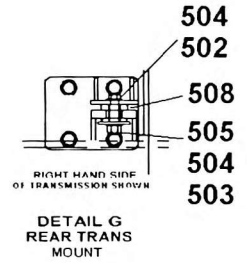
DETAIL D
ENG/TRANS
INTERFACE



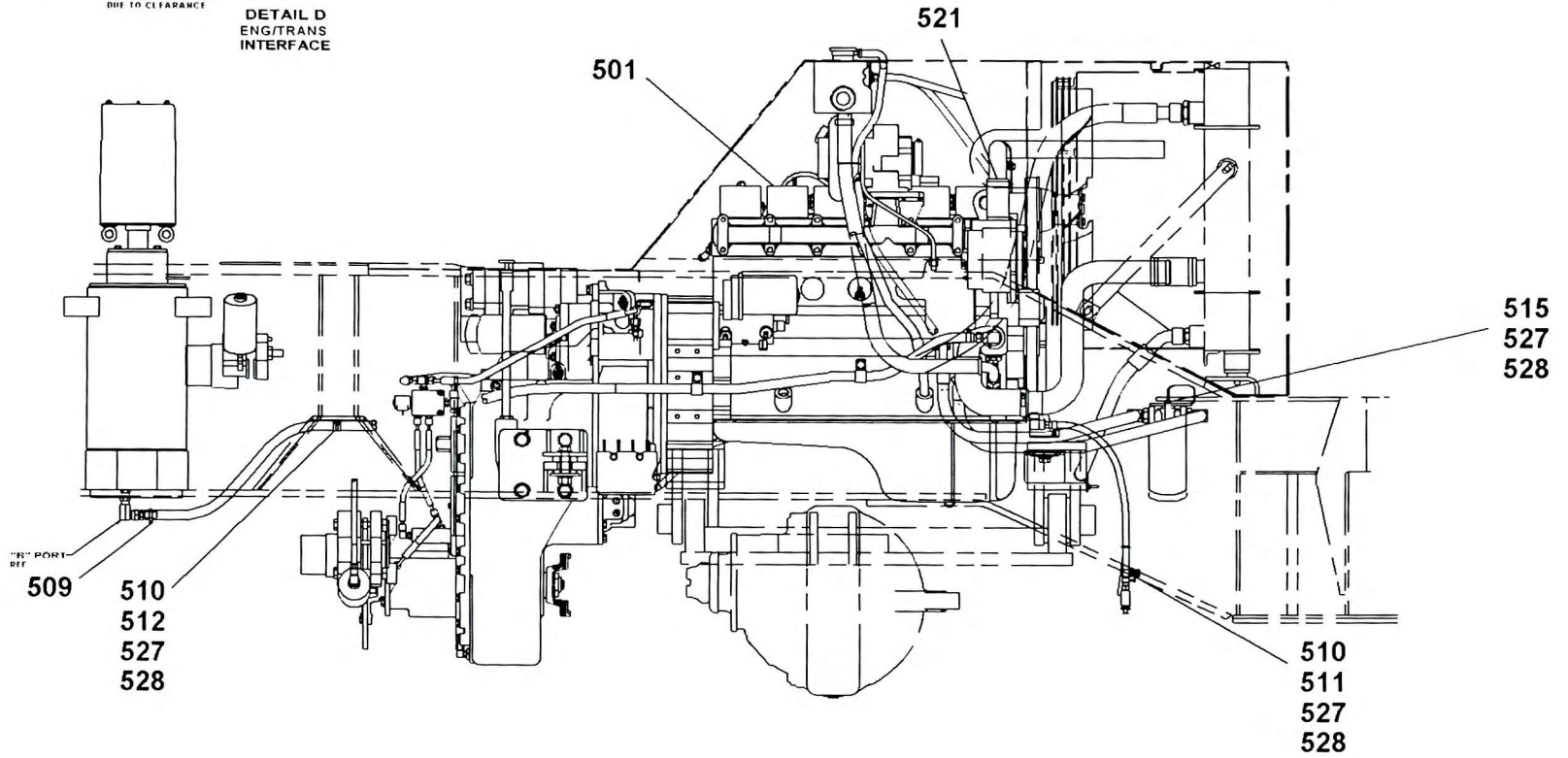
DETAIL E
WATER INLET
CONNECTION



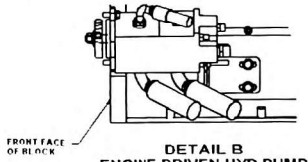
DETAIL F
WATER INLET
CONNECTION
ITEMS #15, 17, 19,
528 NOT SHOWN



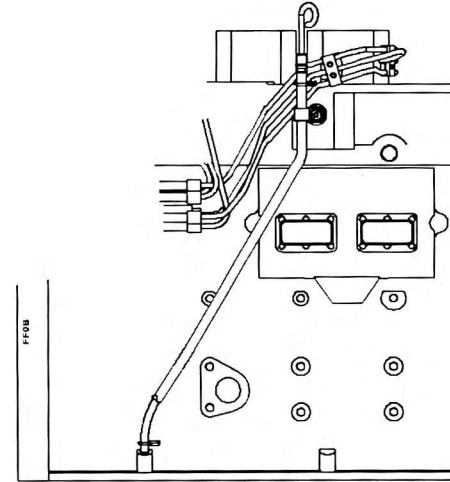
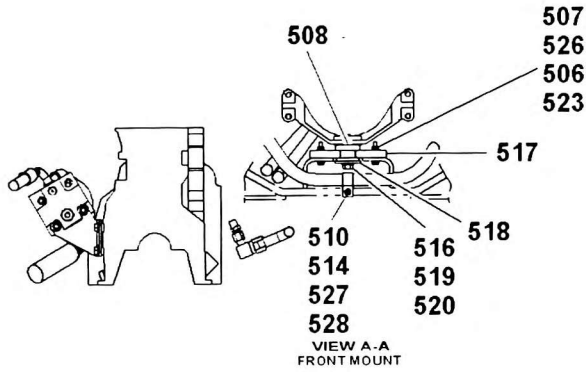
DETAIL G
REAR TRANS
MOUNT



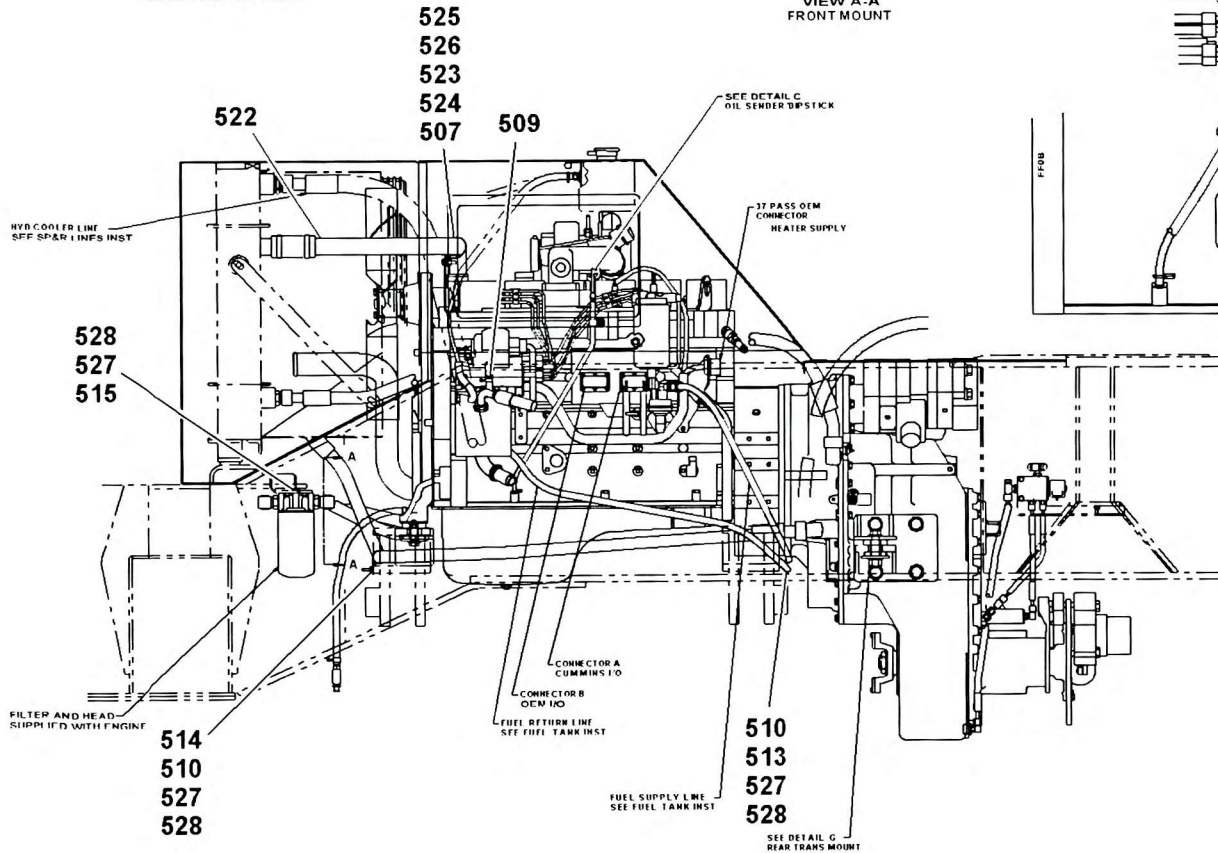
REF KEY SHIP 118
WITH PUMP (ITEM #21)

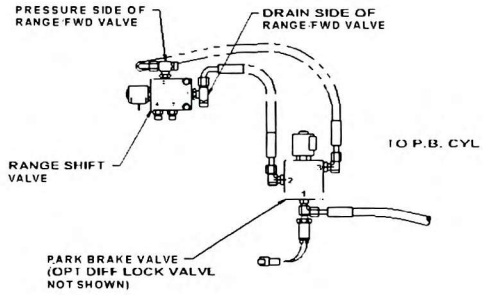


DETAIL B
ENGINE DRIVEN HYD PUMP
"WITH A/C" OPTION

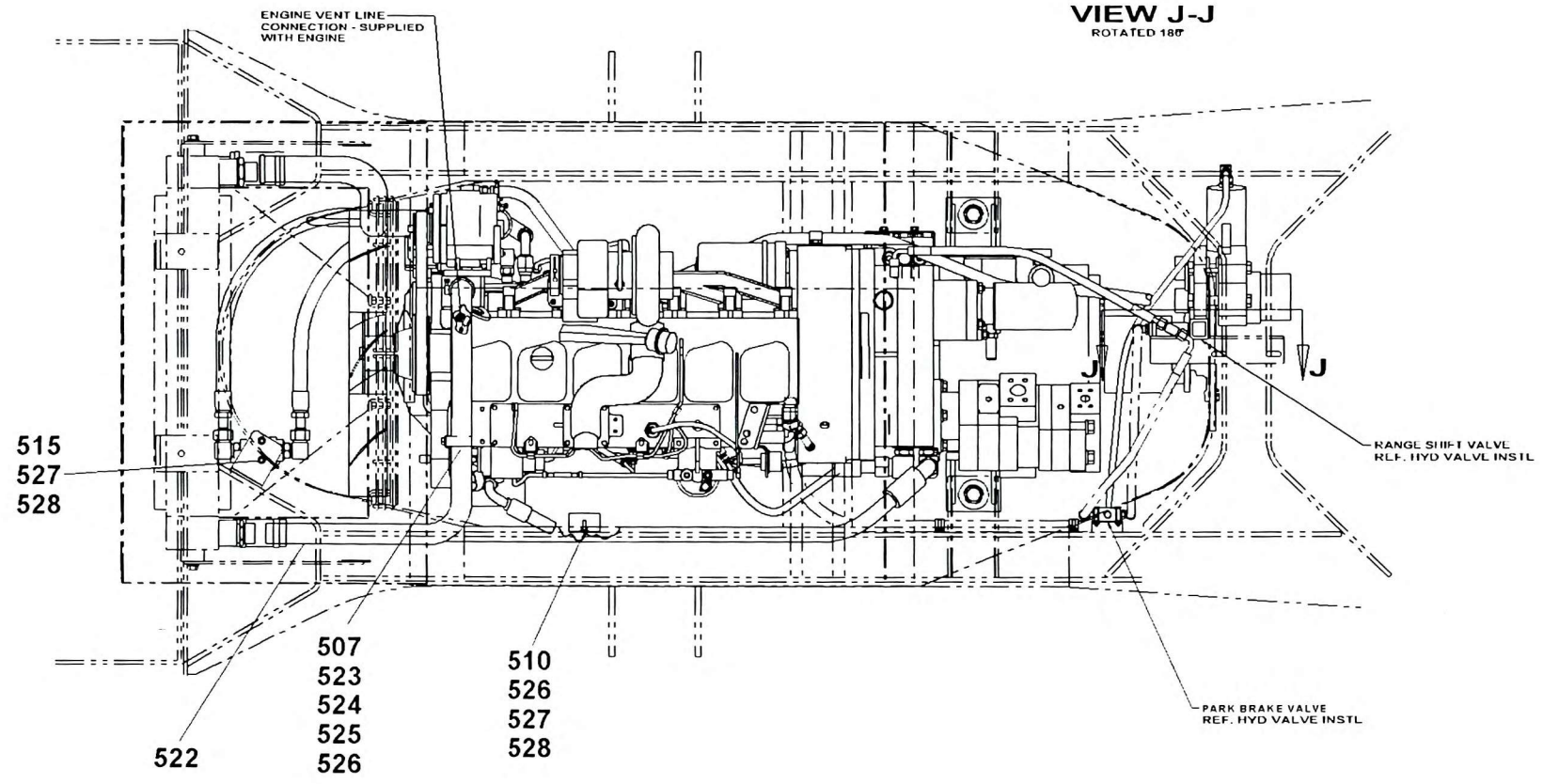


DETAIL C
OIL SENDER/DIPSTICK





VIEW J-J
ROTATED 180°



(SHEET 1 OF 4)